

Focusing Lenses



Focusing lens and filter set
P/N 158 200



Fokussierung lens
P/N 258 210

- SCHOTT offers focusing lenses for flexible light guides and goosenecks.
- The light intensity at the spot center can be increased by factor 3.
- When using a KL 1500 LCD, KL 1500 compact or KL 2500 LCD additional effects can be achieved with the integrated optics swung in respectively out.

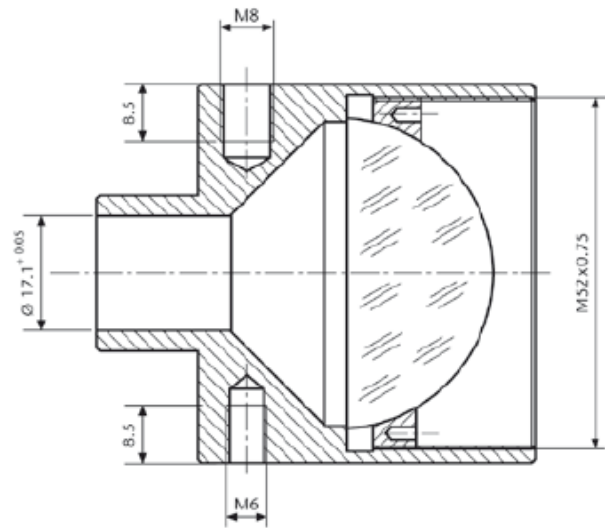
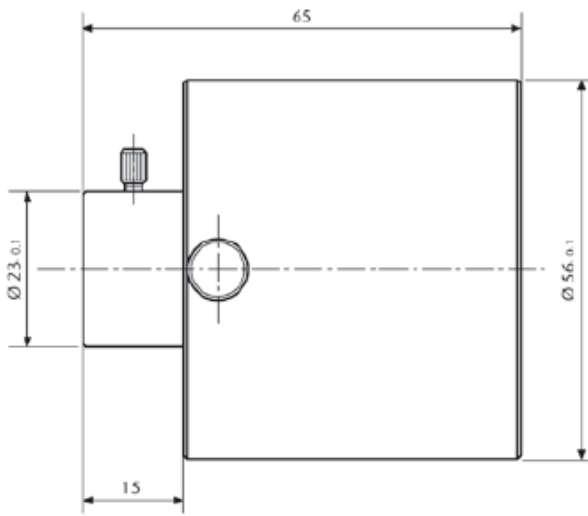
Focusing lens and filter set	Part. No.	Aperture filter for focusing lens*	Polarization filter for focusing lens	Daylight filter for focusing lens	Halogen filter for focusing lens
Ø up to 5.0 mm, red, blue, green, yellow	158 200	20° half angle	158 205	158 211	158 207

Focusing lenses for flexible light guides and goosenecks	Part. No.	Aperture filter for focusing lens*	Polarization filter for focusing Lens	Daylight filter for focusing lens	Halogen filter for focusing lens
Ø up to 5.0 mm**	158 210	20° half angle	158 205	158 211	158 207
Ø 8.0 mm and 9.0 mm**	158 215	20° half angle	158 206	-	-
Ø 12.0 and 15.0 mm**	258 210	20° half angle	258 205	-	-

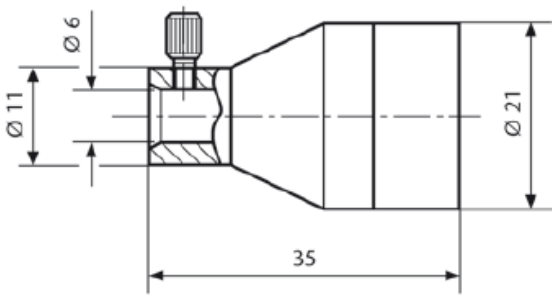
* The corresponding cross polarizer must be purchased from the accessory range of the microscope/objective vendor

** Active diameters

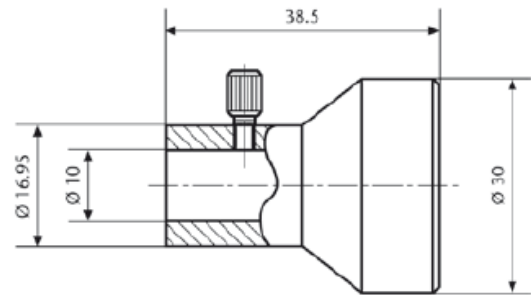
Focusing Lenses



Focusing lens, P/N 158 215



Focusing lens, P/N 158 210



Focusing lens, P/N 158 215

