

# Annular Ringlights



Annular ringlight 58 mm



Annular ringlight 66 mm

## Features

- Continuous ring of illumination fiber within the housing.
- Variety of adaptors available for other objective series.
- Ringlights fit either 66 or 58 mm standard objectives.
- Mounts directly to objective by means of thumb screw.
- Housing made of rugged, black anodized aluminium.
- Fiber bundle protected with flexible metal PVC sheathing.

## Benefit

- Absolute shadow-free illumination and no interference with light guides in work area.

Cold light source**	Part No.	Type	Length	Inner Ø	Outer Ø	Height	Minimum working distance*	Active Ø branch	Outer Ø Jacketing	Light source adaptor Ø
			(L)	(ID)	(OD)	(H)	(A)	(b)	(D)	
KL 1500 HAL KL 1600 LED KL 2500 LED KL 2500 LCD	157 410	Slit-RL 58 mm Ø	1000 mm 39.37"	58 mm 2.28"	88 mm 3.47"	26 mm 1.02"	25 mm 0.98"	9 mm 0.35"	15 mm 0.59"	10 mm 0.39"
	157 420	Slit-RL 66 mm Ø	1000 mm 39.37"	66 mm 2.60"	96 mm 3.78"	26 mm 1.02"	25 mm 0.98"	9 mm 0.35"	15 mm 0.59"	10 mm 0.39"

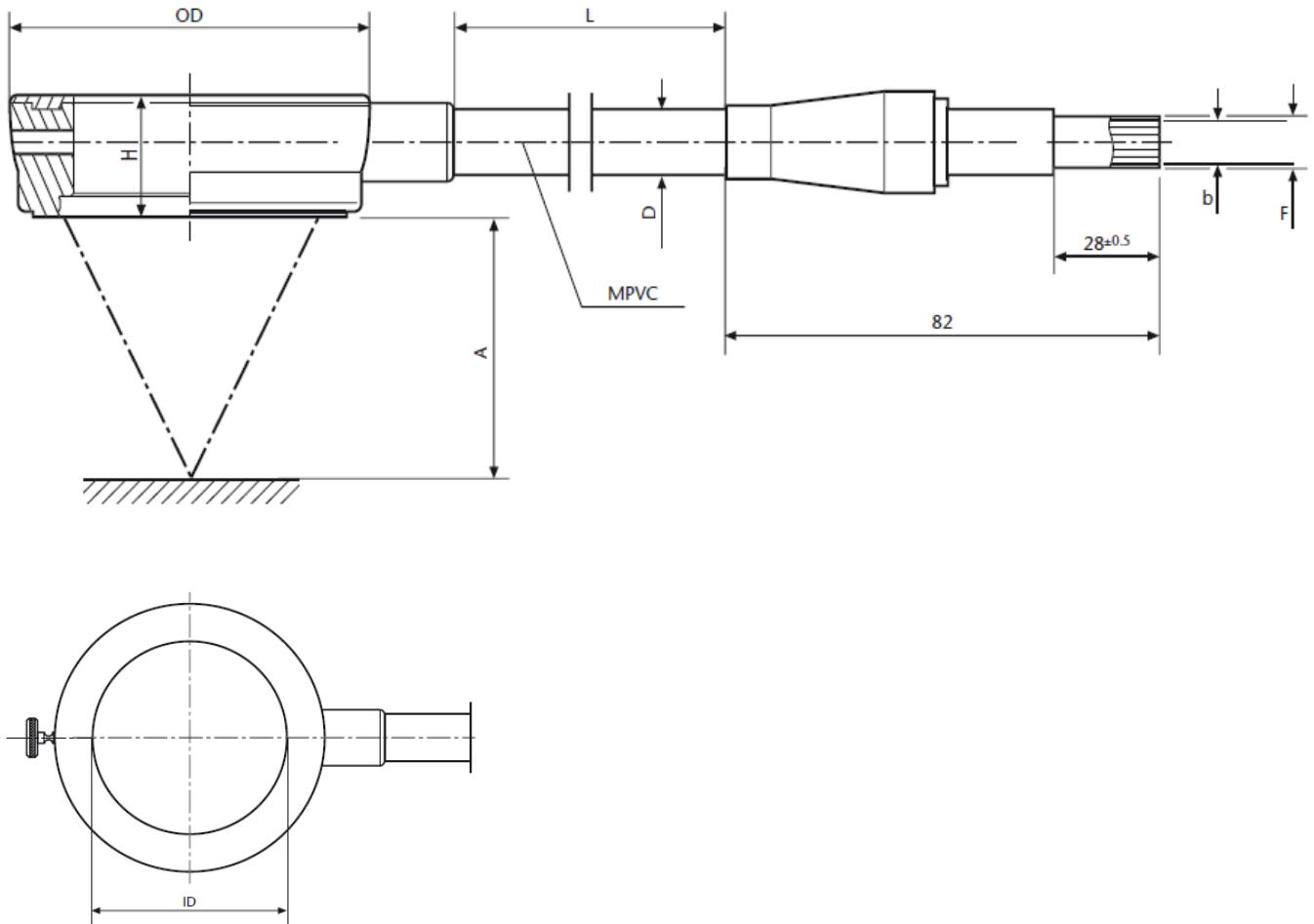
\* Ringlights usable in any working distance above given minimum values.

\*\* and discontinued KL 1500 products (KL 1500 compact, KL 1500 LCD, KL 1500 LED, KL 1500 LED Plus)

Polarizers for annular ringlights	Part No.	
Ø 58 mm	158 440	Polarization filter set for annular ringlight consist out of polarizer and analyzer
Ø 66 mm	158 430	Polarization filter set for annular ringlight consist out of polarizer and analyzer

Objective adaptors	Part No.
Ø 58 mm to Ø 66 mm	157 450
Ø 60 mm to Ø 66 mm	157 452

# Annular Ringlights



All specifications are subject to change without prior notice. This datasheet or any extracts thereof may only be used in other publications with express permission of SCHOTT. © SCHOTT AG

Lighting and Imaging  
**SCHOTT AG**  
 Hattenbergstrasse 10  
 55122 Mainz  
 Germany  
 Phone: +49 (0) 6131/66-7796  
 Fax: +49 (0) 6131/66-7850  
 lightingimaging@schott.com  
 www.schott.com/lightingimaging

**SCHOTT**  
 glass made of ideas